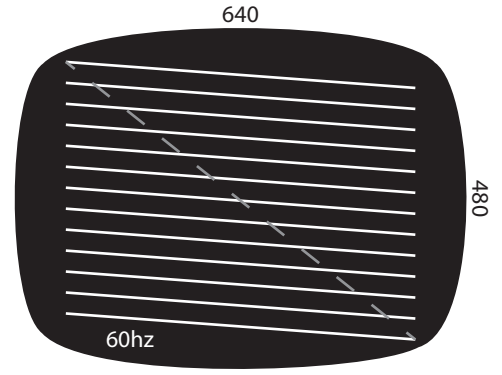
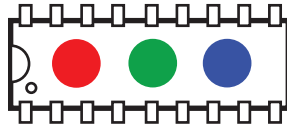


VuAGE v1.0



VuAGE is a VGA horizontal and vertical sync signal generator. With a few simple external components, the necessary sync signals for 640x480 VGA with a 60 hertz refresh rate are generated along with a rudimentary pattern to ensure your display/circuit is working.

Using the example circuit below (fig.1), VuAGE will produce 640x480/60Hz VGA HSync and VSync signals as well as the pattern seen in fig.2. Of course, leaving pins 7,8, and 11 disconnected allows you to supply your own RGB signals.

BEWARE: Any RED, GREEN and BLUE signals fed into a VGA connector should be between zero volts and 0.7 volts. It is your responsibility to ensure that any signals you feed into VGA PINS 1, 2, and 3 are within this specification. Many VGA displays are very forgiving of the voltages fed into their color pins, others are not. It is up to you to know your display and what it is capable of. THIS IS AN EXPERIMENTER'S INTEGRATED CIRCUIT. YOUR ARE SOLELY RESPONSIBLE FOR ANY DAMAGE CAUSED TO ANY EQUIPMENT ATTACHED TO VuAGE. PROCEED AT YOUR OWN RISK.

- Parts List:
 VuAGE IC
 3x 510 Ohm Resistor
 4Mhz Resonator
 1000pF Ceramic Capacitor

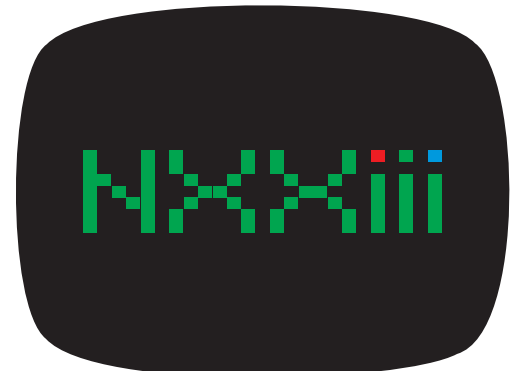
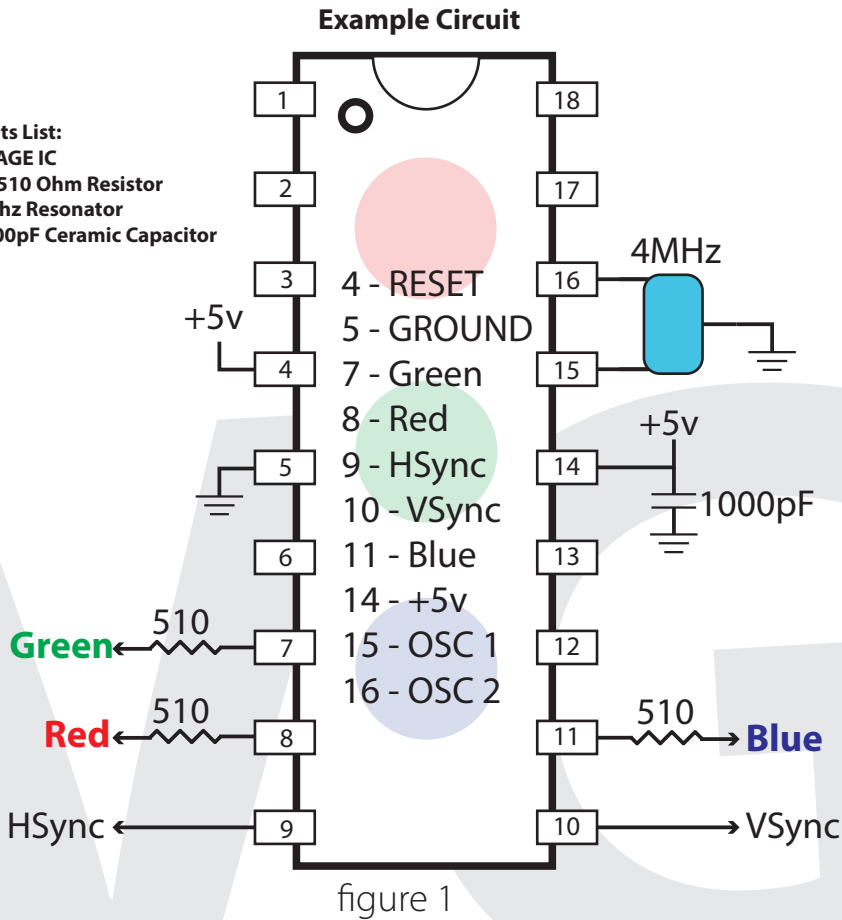
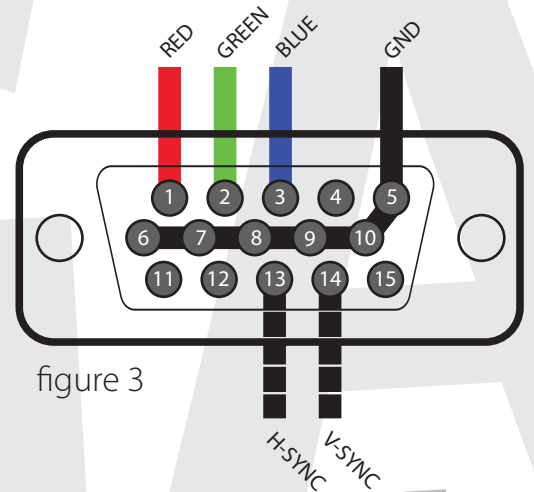


figure 2



640x480/60hz



Brought to you by the fine folks at networkxxiii and bsom.org
 Visit us at networkxxiii.xyz